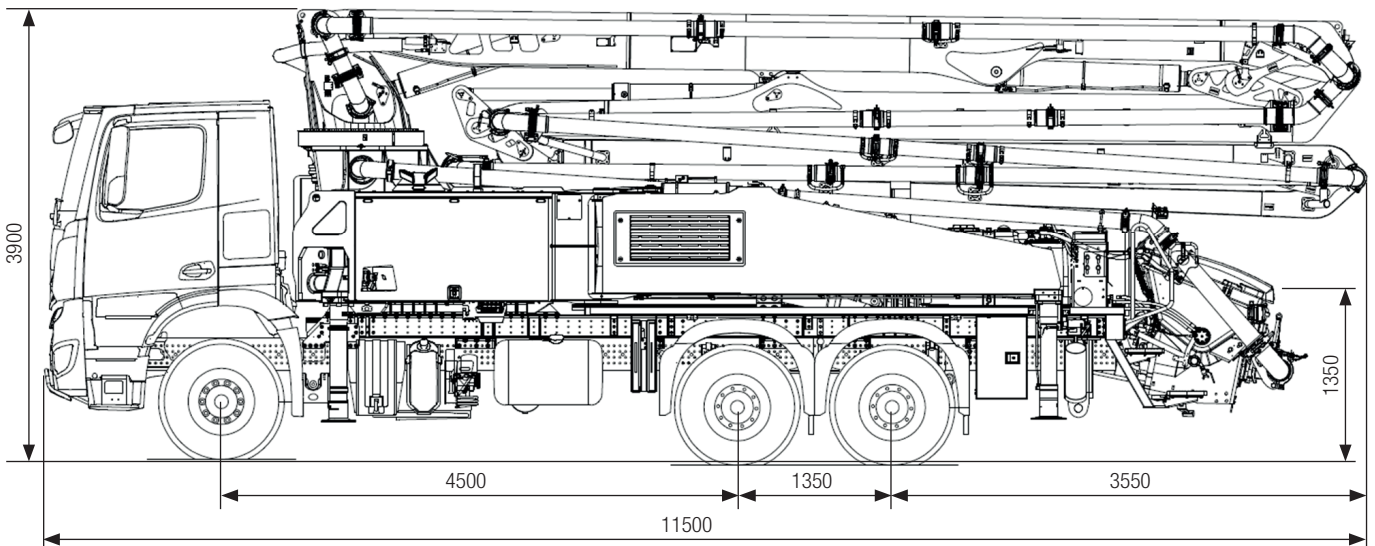
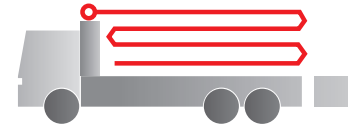


Truck-mounted concrete pump BSF 33-4.16 H

Output up to 160 m³/h
 Delivery pressure up to 130 bar*



Note: Standard version. Dimensions and weights depend on truck, pump model and equipment.
 Dimensions in mm for MB-Arocs 2640.
 Illustrations show special equipment.

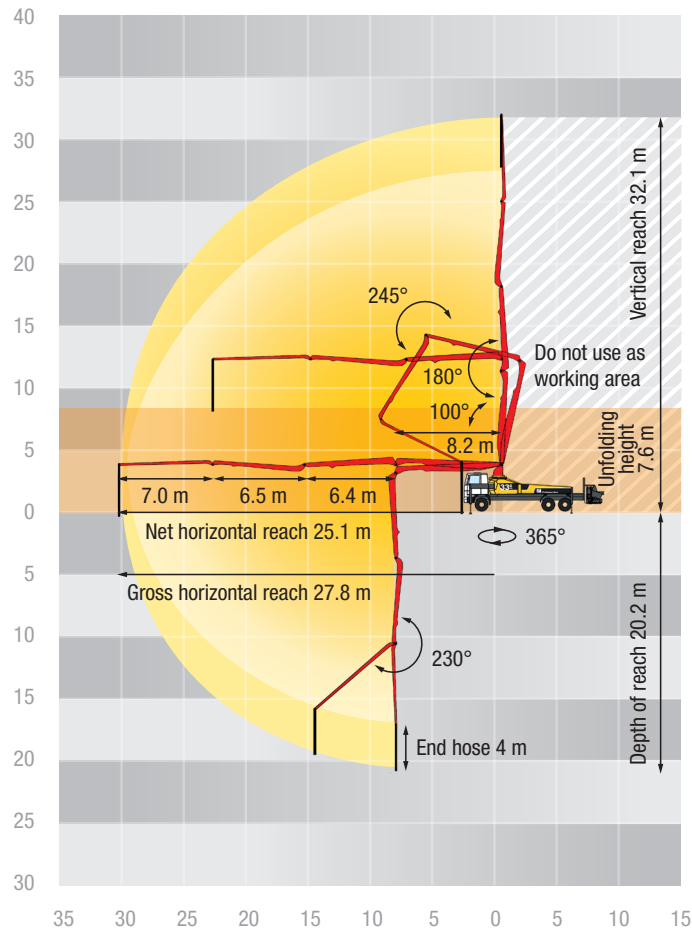
Technical data

Boom M 33-4		
Sections		4
Reach height	m	32.1
Horizontal reach	gross	m 27.8
	net	m 25.1
Reach depth max.	m	20.2
Unfolding height	m	7.6
End hose length	m	4
Folding system		Z
Delivery line		DN 125

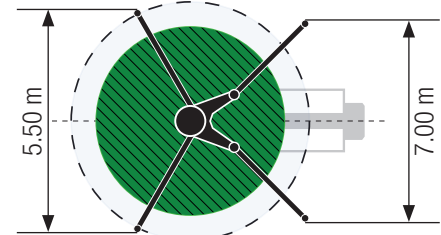
Pump		BSF	.16 H
Rod side	Output	m ³ /h	160
	Delivery pressure	bar	85
	Strokes	1/min.	31
Piston side	Output	m ³ /h	108
	Delivery pressure	bar	130
	Strokes	1/min.	21
	Delivery cylinder	Ø mm	230
	Stroke	mm	2100

*) Delivery line boom max. 85 bar.
 All data maximum theoretical.

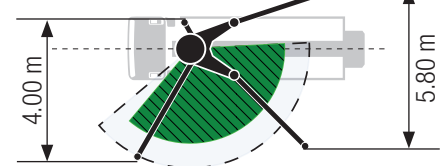
BSF 33-4 Reach information diagram, Support



Standard



OSS



Support width based on center of support leg

Delivery scope Standard Line

Agitator radio remote/on site controlled
Agitator safety switch off automatically, depending on pump application
Agitator safety switch off, RFID control with startup protection
Boom tray switch with alarm unit „boom not in boom cradle“, RFID
Bracket for hammer and trowel
CAN-Bus system
Cardan shaft maintenance free
Central lubrication hopper, A-hinge and slew bearing
Chassis horn via remote control on hopper
Cleaning hose 10m incl. Bracket and spray nozzle
Compressed air connection rear side
Concrete hopper with agitator
Connection for filling water tank
Connections for hydraulic emergency supply (boom)
Container for sponge balls
Cooling unit integrated in support leg
deck delivery line in standard quality
Delivery cylinder chrome-plated

Delivery line (1-layer)
Delivery note box, plastics
Diagnose interface
End hose 4.0 m DN 125 5,5“
Ergonic 2.0
Ergonic Pump System (EPS) incl. Ergonic Output Control (EOC)
Ergonomic water hose reel at riser pipe
Flushing water pump 160 l/min 25 bar
Fully extended support
Hand rail left and guardrail right
Hinged elbow with cleaning port
Hydraulic hose for replacement in hose pack
LED lighting hopper
LED lighting modul control box, left and right side
LED lighting of control points
LED lighting pump/water tank
Operating manual certified (1x paper, 1x CD-ROM), spare part list
Operation point at hopper for draining water pipe
Painting: 3-colored Putzmeister standard

Platform non-skid
Radio remote control with Ergonic Graphic Display (EGD-RC)
Rubber collar on concrete hopper
Safety eyebolt for maintenance at rotary head
Setup frame screwed
Soiling indicator hydraulic oil filter on RGD-RC (display radio remote control)
Spectacle wear plate DURO 22
Splash guard, fixed
Stainless step to platform right hand side
S-transfer tube switchover fast/slow
Support plates (4x)
Swivel support plates
tool set incl. standard equipment
Towing eye
Wash-out port lid with slide pin
Water supply at hopper
Water tank 700 l with level indication
Wear resistant delivery line elbow with extension on both sides